

# Spare part list



**Incurve**

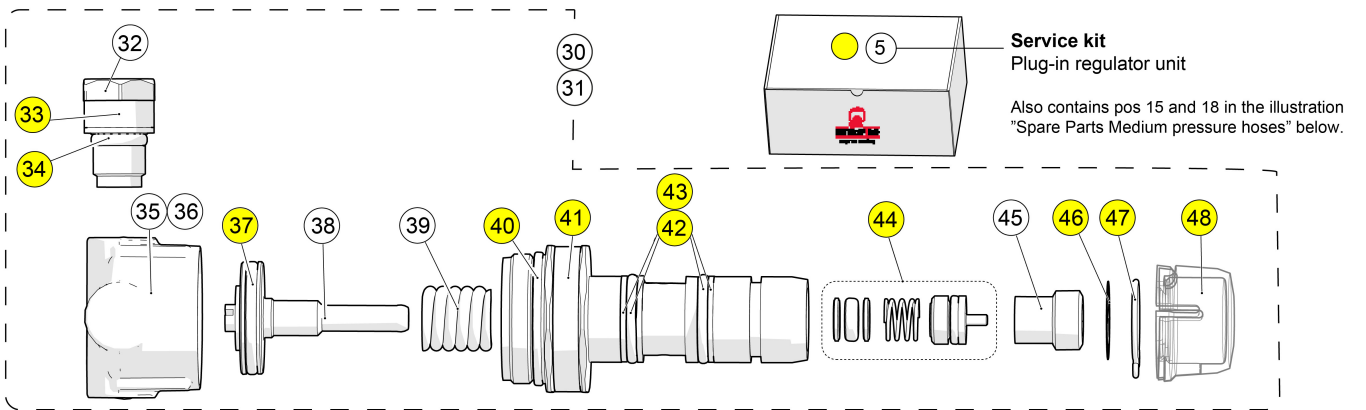
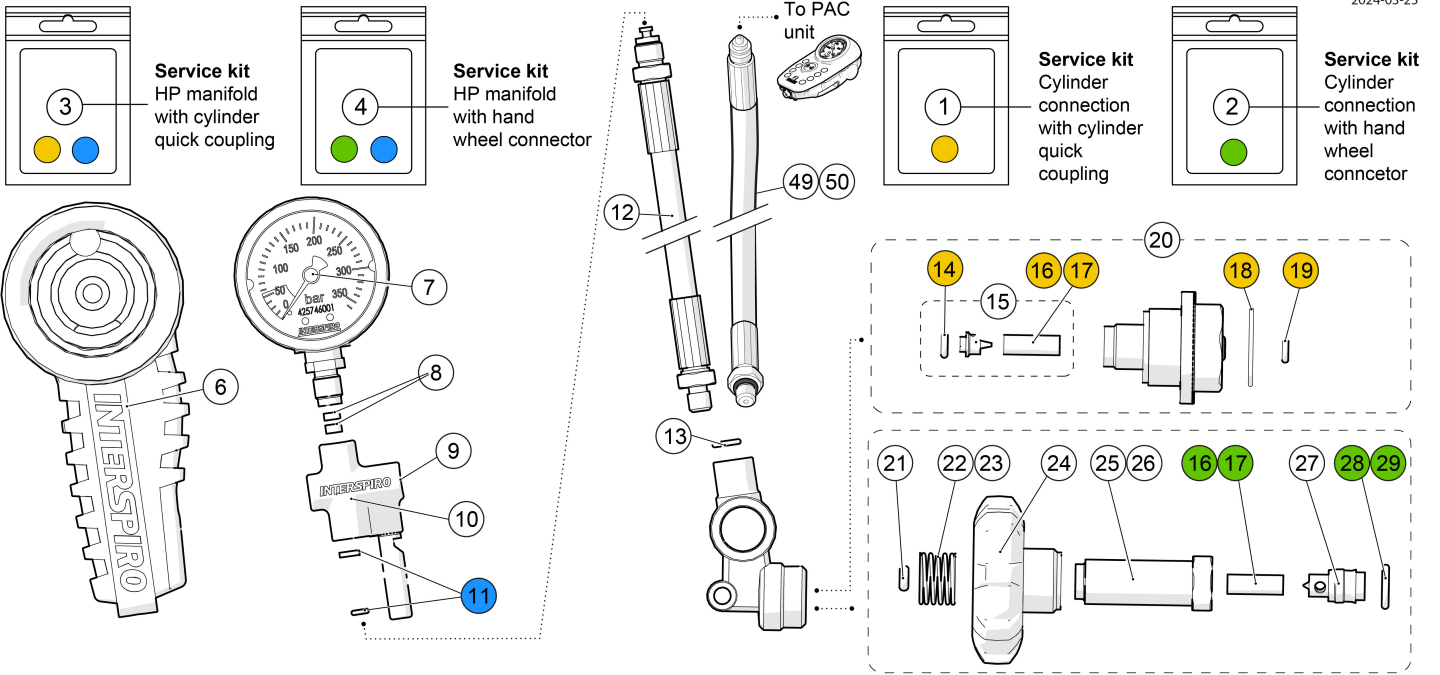
2024 July

# READ BEFORE USE

1. Only holders of a valid Interspiro Service Certificate may carry out service and repairs on Interspiro breathing equipment. Unauthorized service may result in malfunction and users relying thereon could sustain severe respiratory injury or death.
2. When using the spare part list always refer to the equipment's Service manual in regard to procedures and handling of the spare parts assembly and function.
3. Changes to this document – necessitated by typographical errors, inaccuracies of current information or improvements and changes of equipment – may be done at any time and without prior notice. Always refer to the Interspiro webpage for the latest version.
4. The description defines if the spare part is a multi-pack, e. g. "10 x 336100437" indicates that this is a multi-pack that consists of 10 pieces of the single component 336100437. The single component part number 336100437 can not be ordered, it is only used to label parts included in service kits.
5. The service kits contain replacement items used for preventive maintenance.
6. Always refer to the Interspiro webpage for product and document updates and important notices.

# Spare Parts Plug-in regulator

2024-03-25



## Spare Parts Plug-in regulator

Position	Item number	Description
1	<b>460200045</b>	Service kit cylinder connection with quick coupling
2	<b>460190711</b>	Service kit cylinder connection
3	<b>460200046</b>	Service kit manifold, Cylinder Quick Coupling
4	<b>460190321</b>	Service kit Manifold
5	<b>460190322</b>	Service kit plug-in pressure regulator
6	<b>32532-51</b>	Pressure gauge cover
7	<b>460190381</b>	Pressure gauge with gasket set
8	<b>336190159</b>	Gasket set, 1 x 335100368 & 1 x 335100369
9	<b>31365-51</b>	Sealing label, whistle,10-pack
10	<b>34850-51</b>	Whistle, 55 Bar Replaces 31030-51
11	<b>460190192</b>	Back-up ring & O-ring, 5-pack (5 x 98568-01 & 012027-01)
12	<b>96529-51</b>	High pressure hose 920 mm
13	<b>336190312</b>	O-ring, 10 x 336900105
14	<b>336890105</b>	O-ring, 10 x 336900183
15	<b>460190059</b>	Filter & holder & O-ring kit, 10-pack
16	<b>346190643</b>	Inlet filter, 10-pack (10 x 212100014)
17	<b>346190644</b>	Inlet Filter, 100-pack (100 x 212100014)
18	<b>460200114</b>	O-ring, 10 x OR22,0X1,0-Q60
19	<b>336190437</b>	O-ring, 10 x 336900182
20	<b>30569-51</b>	Regulator part, cylinder quick coupling
21	<b>336190232</b>	O-ring, 10 x 336900044
22	<b>30130-51</b>	Spring, 5 x 30130-01
23	<b>30130-52</b>	Spring, long, 5 x 30130-02
24	<b>98520-51</b>	Hand wheel
25	<b>460190383</b>	Connection nipple

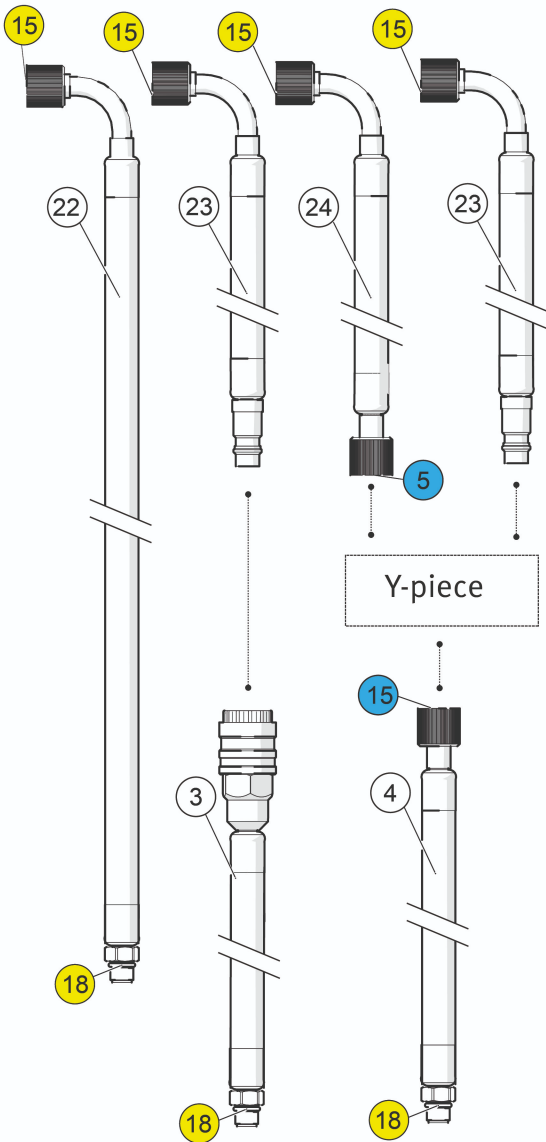
## Spare Parts Plug-in regulator

Position	Item number	Description
26	<b>460190384</b>	Connection nipple long
27	<b>460190382</b>	Sealing nipple
28	<b>336190272</b>	O-ring, 10 x 331100767
29	<b>460190237</b>	O-ring, 100 x 331100767
30	<b>460190141</b>	Pressure regulator, spare part
31	<b>96317-51</b>	Plug in regulator, 3-port
32	<b>460190387</b>	Relief valve
33	<b>346190053</b>	Protective band, 10-pack (10 x 346100066)
34	<b>336190311</b>	O-ring, 10 x 944610206
35	<b>88193-56</b>	Regulator cover Replaces 460190389
36	<b>88193-54</b>	Regulator cover 3-port 3/8 inch 90 degree + back
37	<b>346190022</b>	O-ring, 10 x 346900002
38	<b>460190386</b>	Piston
39	<b>346190026</b>	Spring, 5 x 346100005
40	<b>346190024</b>	O-ring, 10 x 346900004
41	<b>460190201</b>	Protective band, 5 x 95472
42	<b>460190198</b>	O-ring & back-up ring, 10 pack (10 x 346900001 & 95471-01)
43	<b>460190199</b>	O-ring & back-up ring, 50-pack (50 x 346900001 & 95471-01)
44	<b>346190023</b>	Valve seat set
45	<b>460190388</b>	Adjusting screw, 5 x 346100009
46	<b>346190295</b>	Sealing label 25-pack
47	<b>346190293</b>	Locking clip, 10-pack (10 x 346100158)
48	<b>346190294</b>	Protective cover, 10 x 346100159
49	<b>35588-51</b>	High pressure hose for PAC, 920 mm
50	<b>35588-52</b>	High pressure hose for PAC, 970 mm

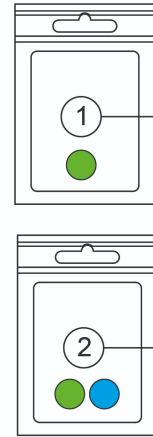
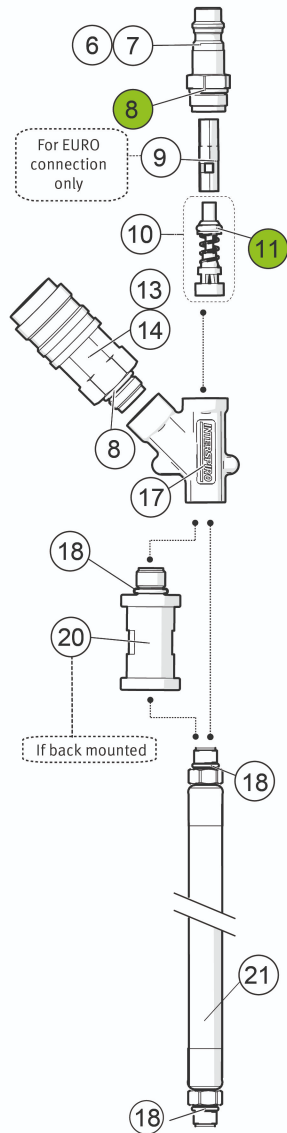
# Spare Parts Medium pressure hoses

2024-03-25

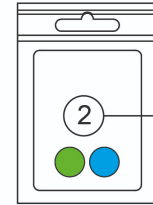
## Breathing hose



## Rescue hose

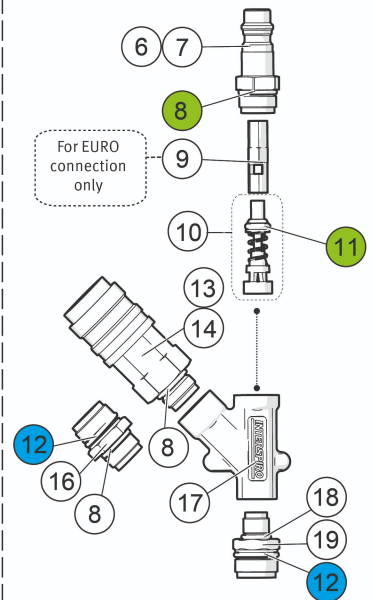


Service kit Male connection



Service kit Y-piece for Incurve and QS II models

## Y-piece



## Spare Parts Medium pressure hoses

Position	Item number	Description
1	<b>460200153</b>	Service kit extra air connection, male
2	<b>460190414</b>	Service kit Y-piece, QS II & Incurve and T-piece, Spiromatic 90U
3	<b>460190361</b>	Supply hose 0,82 m, Replaces 346190143
4	<b>460190363</b>	Supply hose, 0.82 M
5	<b>336190236</b>	O-ring, 10 x 944610205
6	<b>460190370</b>	Quick coupling male Euro
7	<b>96531-51</b>	Quick coupling, Interspiro, male Replaces 460190485
8	<b>346190069</b>	O-ring, 12.1x1.6, 10 x 944610210
9	<b>460190371</b>	Valve tube Replaces 346100097
10	<b>346190223</b>	Non-return valve
11	<b>460190369</b>	Cone with o-ring
12	<b>336190228</b>	O-ring, 12.42x1.78, NBR, 10 x 336900007
13	<b>95244-51</b>	Quick coupling female Euro
14	<b>95803-51</b>	Quick coupling, Interspiro Female
15	<b>336190237</b>	O-ring, 10 x 336900099
16	<b>95898-51</b>	Nipple
17	<b>95241-51</b>	Extra air manifold
18	<b>336190311</b>	O-ring, 10 x 944610206
19	<b>95557-51</b>	Nipple
20	<b>99368-51</b>	Adapter
21	<b>460190041</b>	Medium pressure hose for Y-piece
22	<b>460190236</b>	Breathing hose L=1.35 m
23	<b>460190362</b>	Breathing hose, Euro male, 0.55 M
24	<b>460190364</b>	Breathing hose, union nut, L=0.55 m

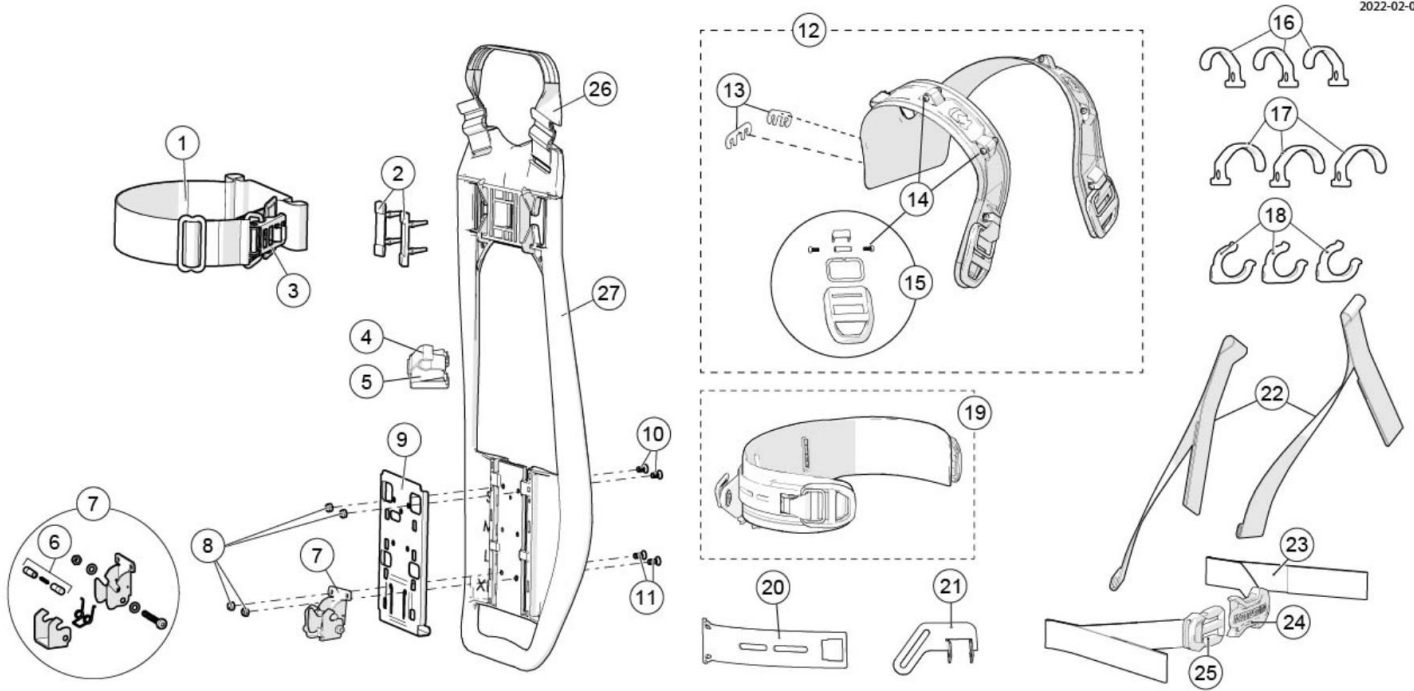
## Spare Parts PAC

Position	Item number	Description
1	<b>35059-51</b>	Hose bracket
2	<b>31081-51</b>	O-ring, 10 x 31081-01
3	<b>35084-51</b>	Cover for hose bracket
4	<b>99744-851</b>	Screw with thread locker, 10 x 99744-801
5	<b>98814-53</b>	Batteries AAA, 10-pack
6	<b>460200190</b>	O-ring, 10-pack
7	<b>35460-51</b>	Battery pack (without batteries)
8	<b>35067-51</b>	Tally key
9	<b>34677-51</b>	Washing plug PAC battery port



# Spare Parts Incurve harness

2022-02-07



## Spare Parts Incurve harness

Position	Item number	Description
1	<b>31346-61</b>	Cylinder strap including buckle, Incurve
2	<b>460190101</b>	Cylinder support 10-pack
3	<b>31343-51</b>	Cylinder strap buckle
4	<b>460190645</b>	Hose holder, rescue hose, 3 pack
5	<b>30574-51</b>	Hose holder clip
6	<b>33411-51</b>	Regulator rod
7	<b>460200108</b>	Quick attachment regulator
8	<b>99799-55</b>	Locking Nut M5, 10-pack (10 x 99799-05)
9	<b>31314-51</b>	Bracket
10	<b>99709-51</b>	Screw, 10 x 99709-01
11	<b>99709-52</b>	Screw, 10 x 99709-02
12	<b>460200112</b>	Shoulder strap unit, complete
13	<b>33466-51</b>	Backplate clip, 2 x 33466-01
14	<b>99711-52</b>	Screw, 10 x 99711-02
15	<b>460200113</b>	Buckle
16	<b>33457-51</b>	Holder for high pressure hose, 3-pack
17	<b>33457-52</b>	Holder for breathing hose, 3-pack
18	<b>33620-51</b>	Holder for rescue hose, 3-pack
19	<b>31310-52</b>	Hip belt, complete
20	<b>33460-51</b>	Hip belt stabiliser
21	<b>33461-51</b>	Pouch holder
22	<b>31325-52</b>	Adjusting strap, shoulder, 2 pack
23	<b>31326-51</b>	Adjusting strap, hip, QS II, 2 x 31326-01
24	<b>31302-51</b>	Waist buckle, female
25	<b>31303-51</b>	Waist buckle, male

## Spare Parts Incurve harness

Position	Item number	Description
26	<b>33464-51</b>	Handle, Incurve
27	<b>31311-51</b>	Backplate